

# FMS & FMS-W-MR

## Compact Design for Low Flow Systems



+ **Filternox**® FMS series filters are manufactured for low-flow applications and motorized filters equipped with a brush for self-cleaning during back-flush.

+ **FMS & FMS-W-MR** are especially suitable for prefiltration and final filtration of water sources containing inorganic dirt loads.

+ **Filternox**® brushed mini-screen models are controlled by  $\Delta P$  and timer.



### General Technical Specifications

<b>Body Material</b> AISI 304L, AISI 316L	<b>Max. Operating Temperature</b> 60°C / 90°C	<b>Back-Flush Water Consumption</b> 40-50 l / back-flush
<b>Screen Material</b> AISI 316L	<b>Headloss at Max. Flow Rate</b> 0.2 bar	<b>Fine Screen Range</b> 10-3000 micron
<b>Max. Operating Pressure</b> PN10 / PN16	<b>Back-Flush Time</b> 15-20 s	<b>Control System</b> Electric
<b>Min. Inlet Pressure Required During Back-Flush</b> 1 bar	<b>rpm of Cleaning Mechanism</b> Adjustable	

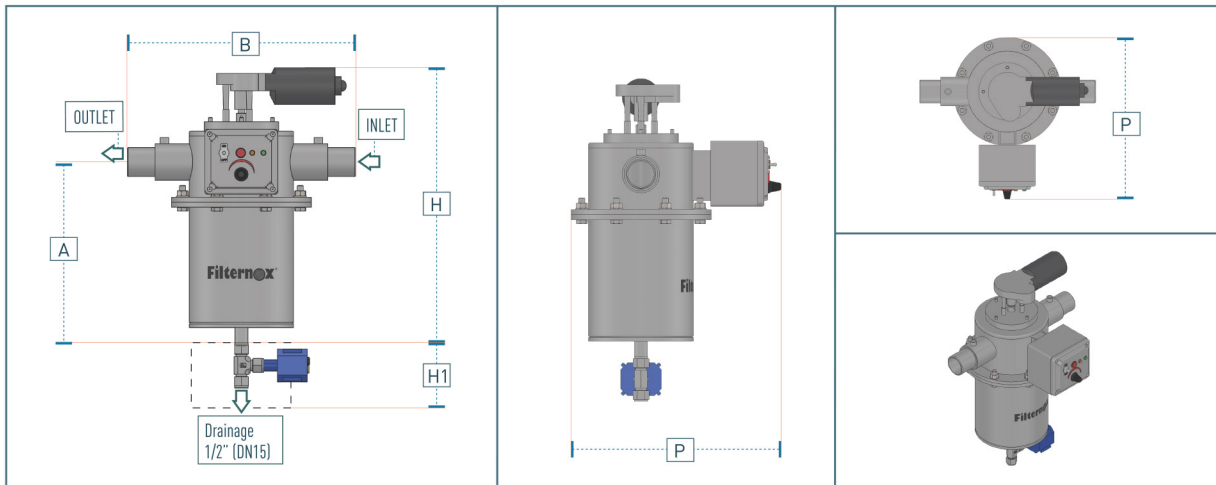
For different pressure and material requirements, please contact Antel-Filternox.

### Optional Features

**Alternative Energy Sources**  
Solar Energy

**Remote Control and Monitoring**  
PLC, PC,  
Mobile Devices,  
Filternox Head Office

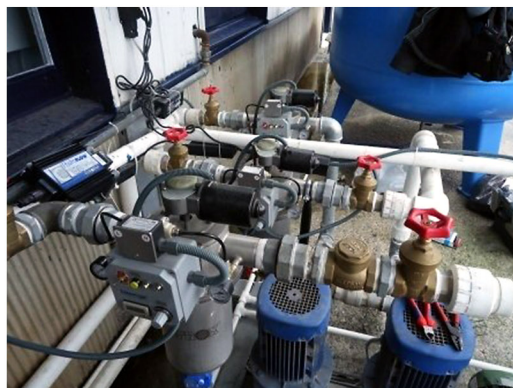
## FMS Model Dimensions



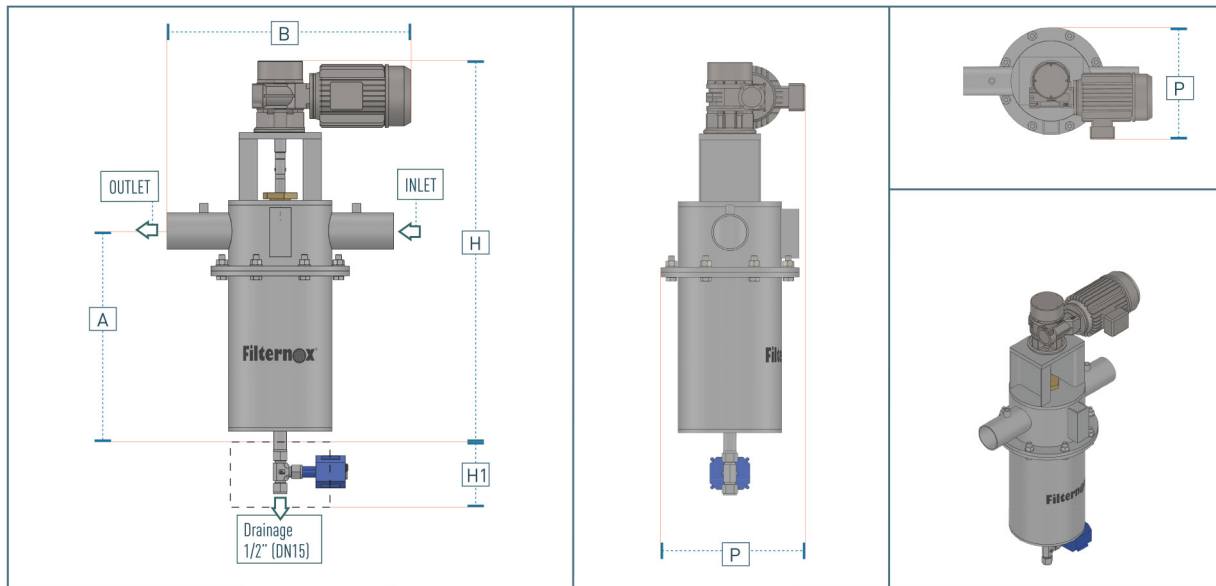
Model	Inlet-Outlet Diameter		Dimensions					Weight		Flow Rate	Filtration Area
			A	B	H	H1	P	Empty	Full		
	inch	mm	mm					kg		m <sup>3</sup> /h	cm <sup>2</sup>
FMS 106101	1	25	243	368	405	250	340	11	19	up to 15	350
FMS 106101.5	1½	40	303	368	465	250	340	12	20	up to 20	600
FMS 106102	2	50	363	368	525	250	340	13	21	up to 30	850
FMS 108103	3	80	378	459	560	250	440	22	33	up to 50	1250

The tolerance value for given data is according to DIN ISO 2768-1(v).

For larger filtration area, please contact Antel-Filternox.



## FMS-W-MR Model Dimensions



Model	Inlet-Outlet Diameter		Dimensions					Weight		Flow Rate	Filtration Area
			A	B	H	H1	P	Empty	Full		
	inch	mm	mm					kg		m <sup>3</sup> /h	cm <sup>2</sup>
FMS-W 108101-MR	1	25	363	520	670	250	280	37	48	up to 15	1250
FMS-W 108102-MR	2	50	363	520	670	250	280	39	51	up to 30	1250
FMS-W 108103-MR	3	80	378	530	700	250	280	42	55	up to 50	1250

The tolerance value for given data is according to DIN ISO 2768-1(v).

For larger filtration area, please contact Antel-Filternox.

