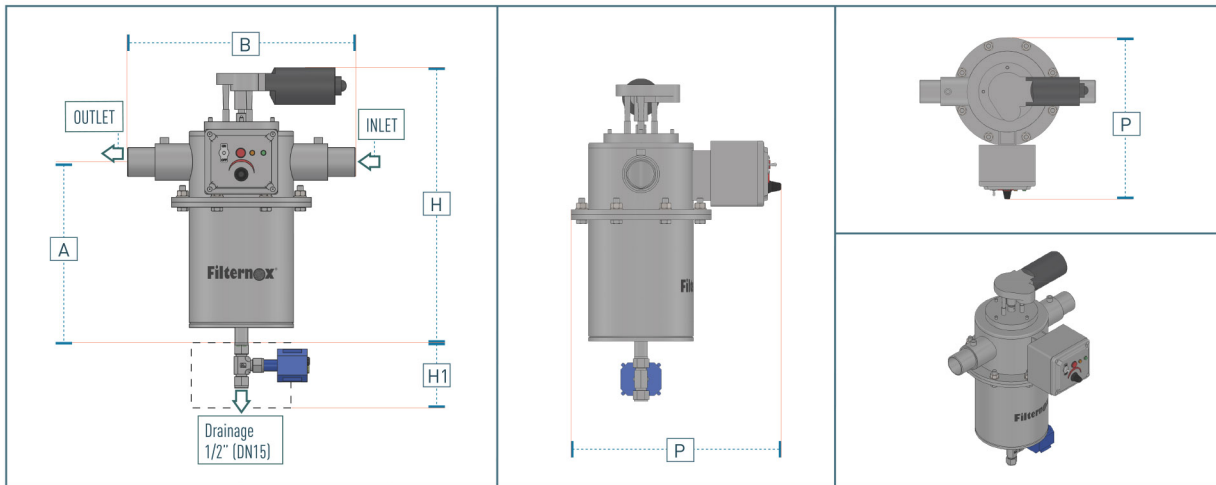


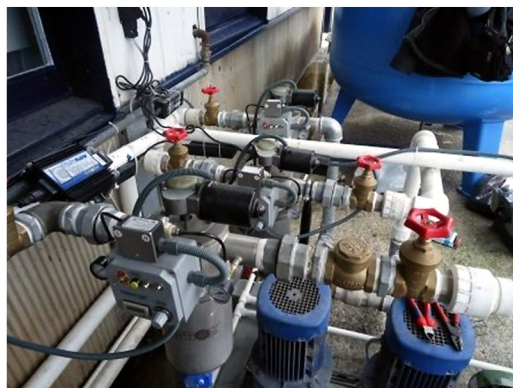
FMS Model Dimensions



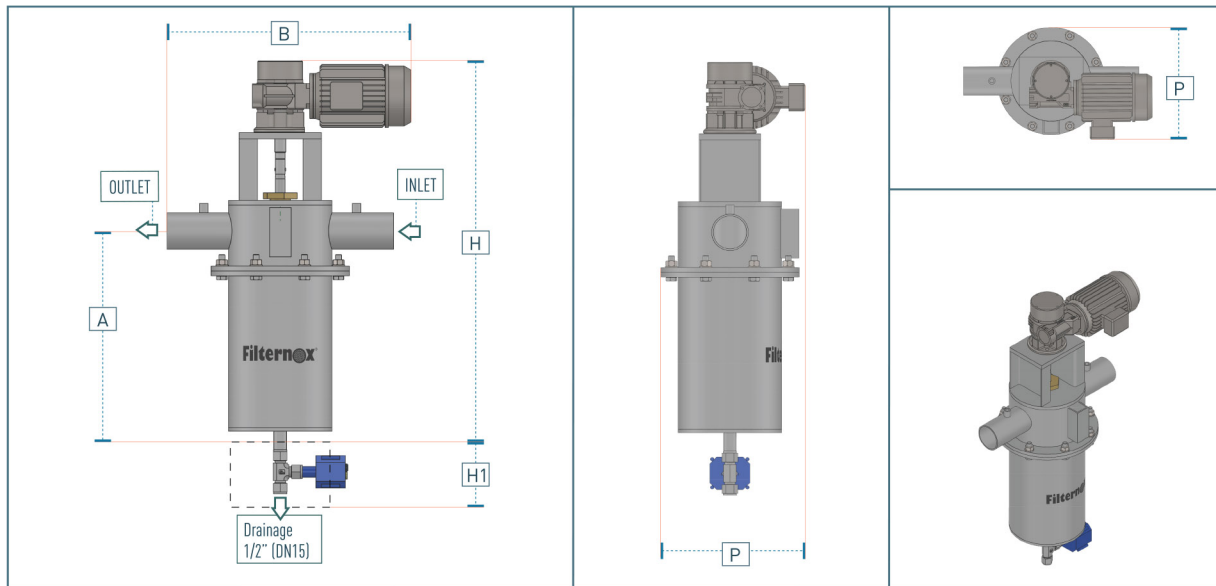
Model	Inlet-Outlet Diameter		Dimensions					Weight		Flow Rate	Filtration Area
			A	B	H	H1	P	Empty	Full		
	inch	mm	mm					kg		m ³ /h	cm ²
FMS 106101	1	25	243	368	405	250	340	11	19	up to 15	350
FMS 106101.5	1½	40	303	368	465	250	340	12	20	up to 20	600
FMS 106102	2	50	363	368	525	250	340	13	21	up to 30	850
FMS 108103	3	80	378	459	560	250	440	22	33	up to 50	1250

The tolerance value for given data is according to DIN ISO 2768-1(v).

For larger filtration area, please contact Antel-Filternox.



FMS-W-MR Model Dimensions



Model	Inlet-Outlet Diameter		Dimensions					Weight		Flow Rate	Filtration Area
			A	B	H	H1	P	Empty	Full		
	inch	mm	mm					kg		m ³ /h	cm ²
FMS-W 108101-MR	1	25	363	520	670	250	280	37	48	up to 15	1250
FMS-W 108102-MR	2	50	363	520	670	250	280	39	51	up to 30	1250
FMS-W 108103-MR	3	80	378	530	700	250	280	42	55	up to 50	1250

The tolerance value for given data is according to DIN ISO 2768-1(v).

For larger filtration area, please contact Antel-Filternox.

