

Two Stage Filtration in One Filter Unit



+ Automatic self-cleaning **Filternox®** KQR-B-VMR models with rust proof body are ideal and a permanent solution for sea and surface water filtration systems.

+ Suitable for water sources with very high dirt loads and high flow rates.

+ KQR-B-VMR models have a unique coarse-screen and multiple fine screens with one inlet and outlet, able to make two stage filtration.

+ KQR-B-VMR can be installed inline or online.

General Technical Specifications

Body Material
AISI 304L, AISI 316L

Max. Operating Temperature
60°C / 90°C

Back-Flush Water Consumption
600-1000 l / back-flush

Screen Material
AISI 316L

Headloss at Max. Flow Rate
0.2 bar

Fine Screen Range
10-3000 micron

Max. Operating Pressure
PN10 / PN16

Back-Flush Time
80-120 s

Control System
Electric

Min. Inlet Pressure Required During Back-Flush
2 bar

rpm of Cleaning Mechanism
Adjustable

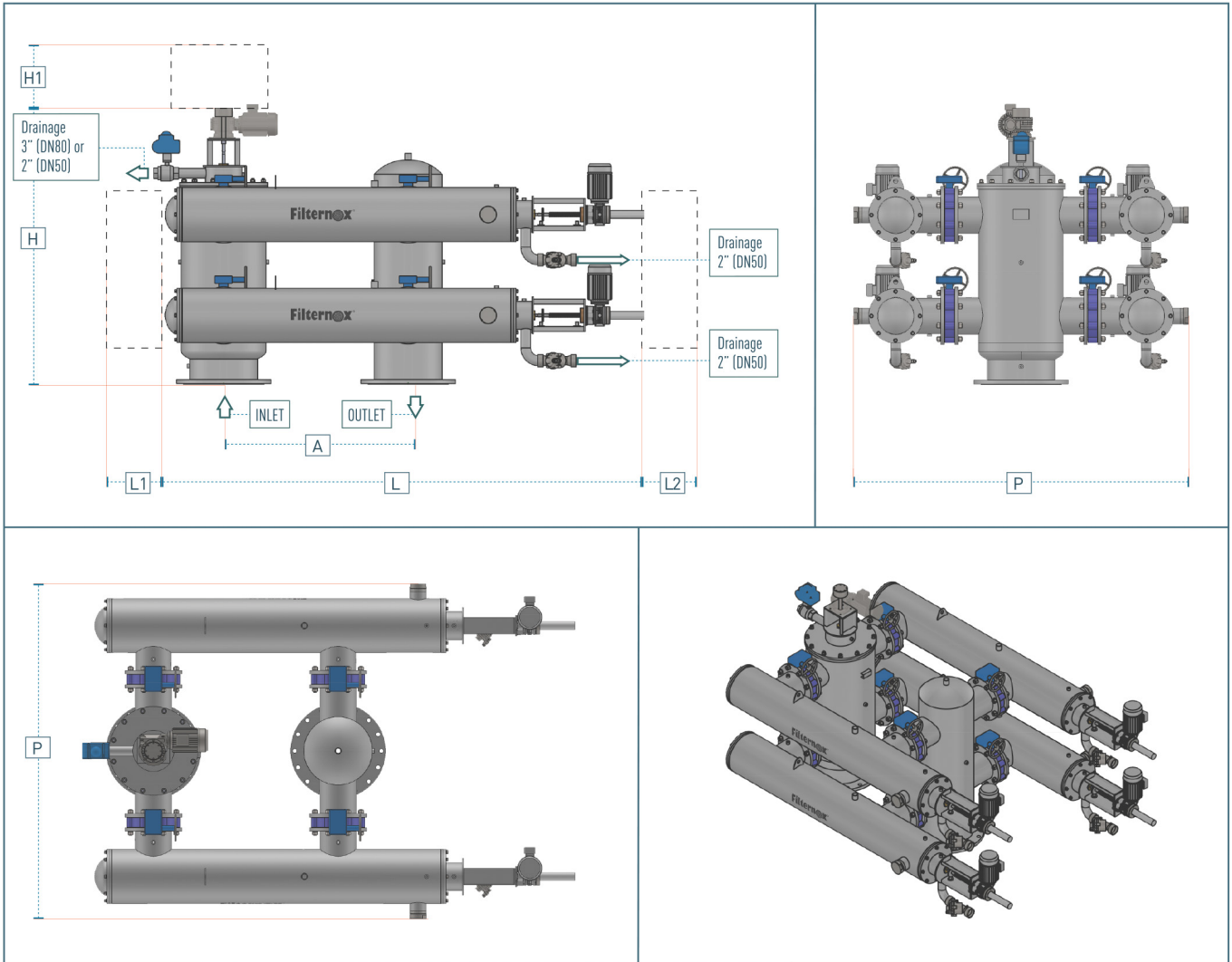
For different pressure and material requirements, please contact Antel-Filternox.

Optional Features

Alternative Energy Sources
Solar Energy

Remote Control and Monitoring
PLC, PC,
Mobile Devices,
Filternox Head Office

KQR-B-VMR Model Dimensions



Model	Inlet-Outlet Diameter		Dimensions							Weight		Flow Rate	Filtration Area	
			A	L	L1	L2	H	H1	P	Empty	Full		Stage 1	Stage 2
	inch	mm	mm							kg		m ³ /h	cm ²	
KQR 412616-VMR	16	400	1200	2745	1700	200	1770	700	2014	1320	2730	up to 1500	11100	28800
KQR 414618-VMR	18	450	1200	2745	1700	200	1770	700	2246	1430	2850	up to 1800	14000	38400
KQR 416620-VMR	20	500	1200	2796	1700	200	2100	1000	2348	1570	3040	up to 2000	20000	48000
KQR 420624-VMR	24	600	1200	2890	1700	200	2150	1000	2696	1850	3560	up to 2500	28500	64800
KQR 620630-VMR	30	750	1200	2890	1700	200	2800	1700	2900	2420	4380	up to 3500	44000	97200



- Tolerance value for given data is according to DIN ISO 2768-1(v).
- For options with larger filtration area, please contact Antel-Filternox.

For more information and operating principle video of KQR-B-VMR models, please visit our website.

