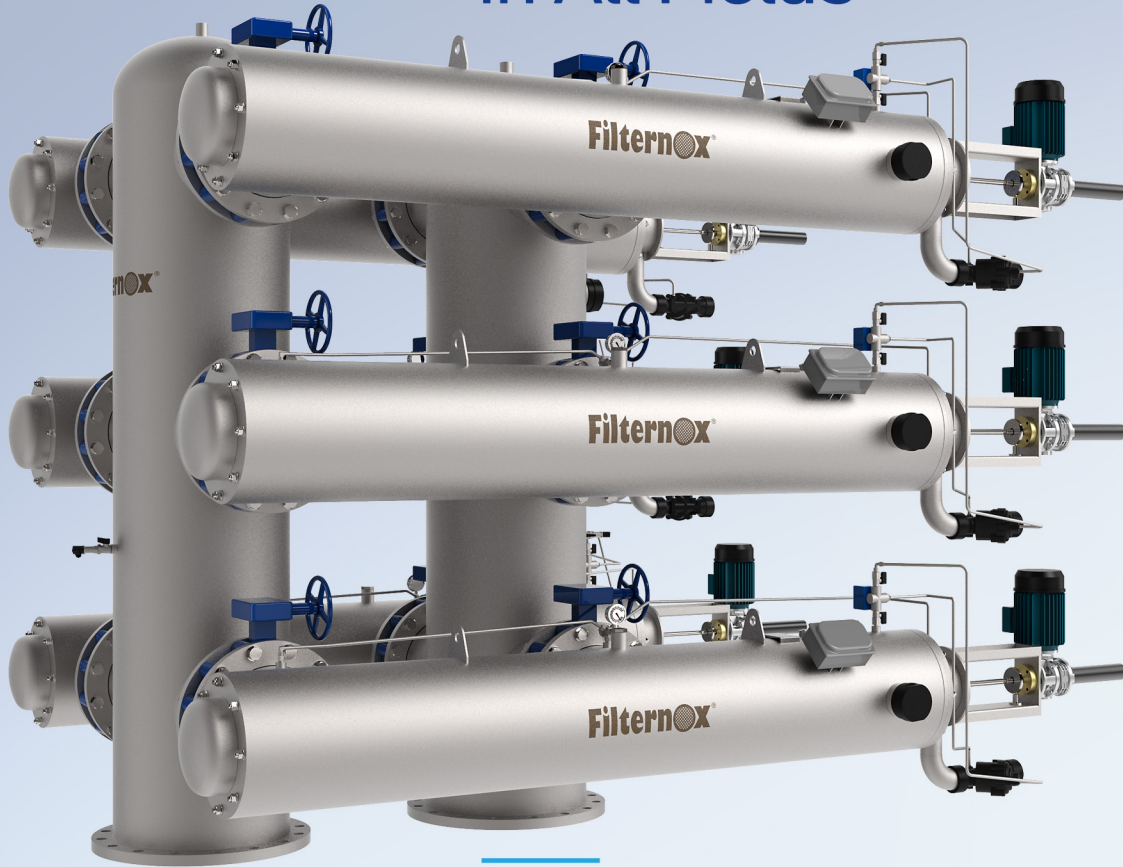


Uninterrupted Filtration in All Fields



+ With their special design, **Filternox**® PQR-VMR models provide safe and uninterrupted filtration.

+ **Filternox**® secures up to 200.000cm² filtration area with its largest PQR-VMR model filters.

+ Models with 4, 6 and 8 filters available.

+ All **Filternox**® Motor Reducer models have the option to adjust either one way or round trip cleaning sequences resulting in lesser drainage water consumption.

General Technical Specifications

Body Material
AISI 304L, AISI 316L

Max. Operating Temperature
60°C / 90°C

Back-Flush Water Consumption
400-1200 l / back-flush

Screen Material
AISI 316L

Headloss at Max. Flow Rate
0.2 bar

Fine Screen Range
10-3000 micron

Max. Operating Pressure
PN10 / PN16

Back-Flush Time
80-180 s

Control System
Electric

Min. Inlet Pressure Required During Back-Flush
2 bar

rpm of Cleaning Mechanism
Adjustable

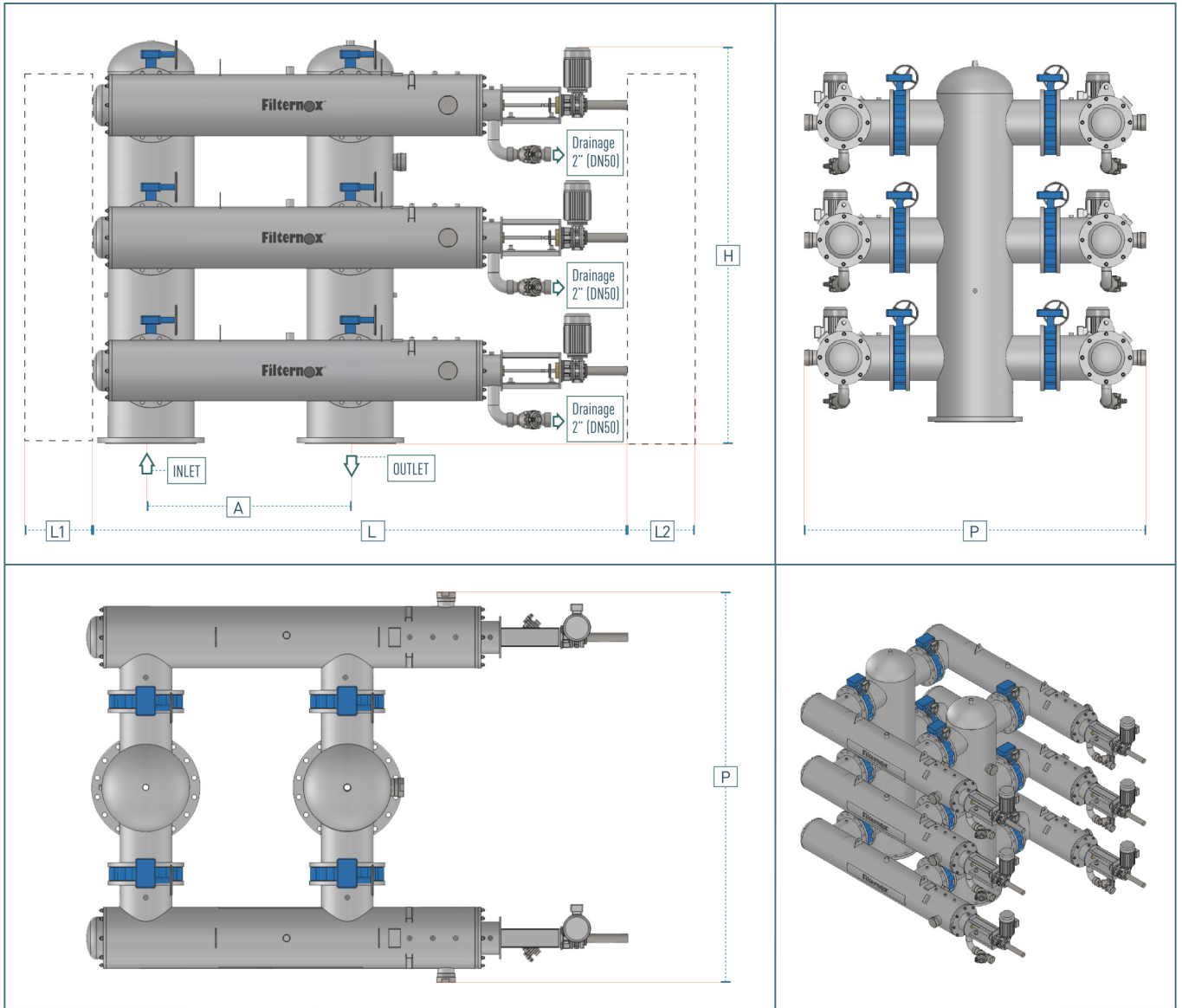
For different pressure and material requirements, please contact Antel-Filternox.

Optional Features

Alternative Energy Sources
Solar Energy

Remote Control and Monitoring
PLC, PC,
Mobile Devices,
Filternox Head Office

PQR-VMR Model Dimensions



Model	Inlet-Outlet Diameter		Dimensions						Weight		Flow Rate	Filtration Area
			A	L	L1	L2	H	P	Empty	Full		
	inch	mm	mm						kg		m ³ /h	cm ²
PQR 412616-VMR	16	400	1200	2862	1700	200	1200	1914	1170	2110	up to 1500	28800
PQR 414618-VMR	18	450	1200	2862	1700	200	1250	2096	1270	2580	up to 1800	38400
PQR 416620-VMR	20	500	1200	2895	1700	200	1320	2246	1390	2880	up to 2000	48000
PQR 420624-VMR	24	600	1200	2890	1700	200	1530	2598	1630	3130	up to 2500	64800
PQR 620630-VMR	30	750	1200	2890	1700	200	2300	2748	2180	3950	up to 3500	97200

■ Tolerance value for given data is according to DIN ISO 2768-1(v).

■ For options with larger filtration area, please contact Antel-Filternox.

