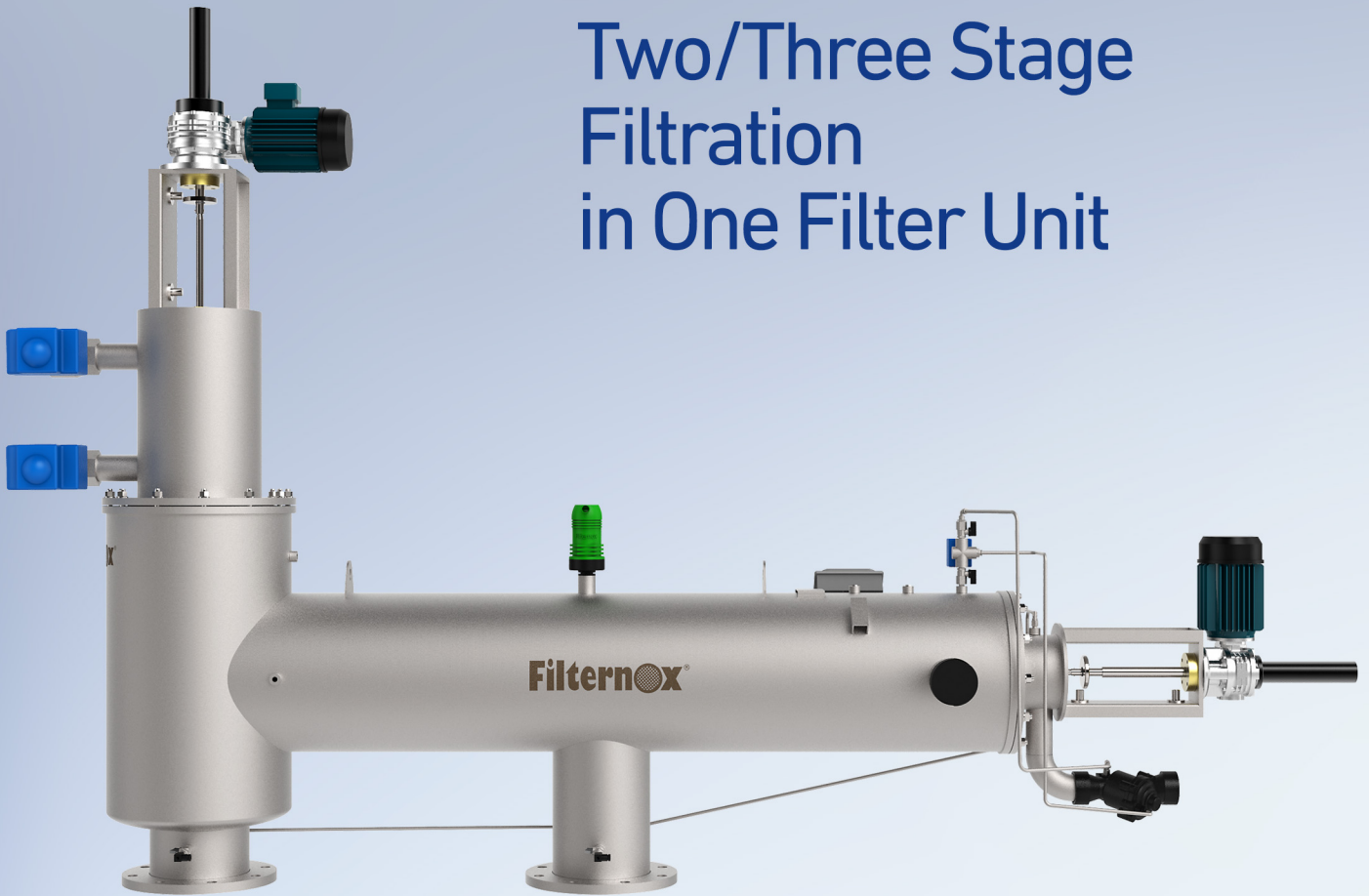




KFH-WBVV-MR

Two/Three Stage Filtration in One Filter Unit



+ Rust-proof automatic self-cleaning KFH-WBVV-MR filters are ideal for sea and surface water filtration systems.

+ KFH-WBVV-MR offers absolute solution for all kinds of water sources containing very high amounts of dirt, with multiple stages of filtration.

General Technical Specifications

Body Material
AISI 304L, AISI 316L

Max. Operating Temperature
60°C / 90°C

Back-Flush Water Consumption
200-400 l / back-flush

Screen Material
AISI 316L

Headloss at Max. Flow Rate
0.2 bar

Fine Screen Range
10-3000 micron

Max. Operating Pressure
PN10 / PN16

Back-Flush Time
40-60 s

Control System
Electric

Min. Inlet Pressure Required During Back-Flush
2 bar

rpm of Cleaning Mechanism
Adjustable

For different pressure and material requirements, please contact Antel-Filternox.

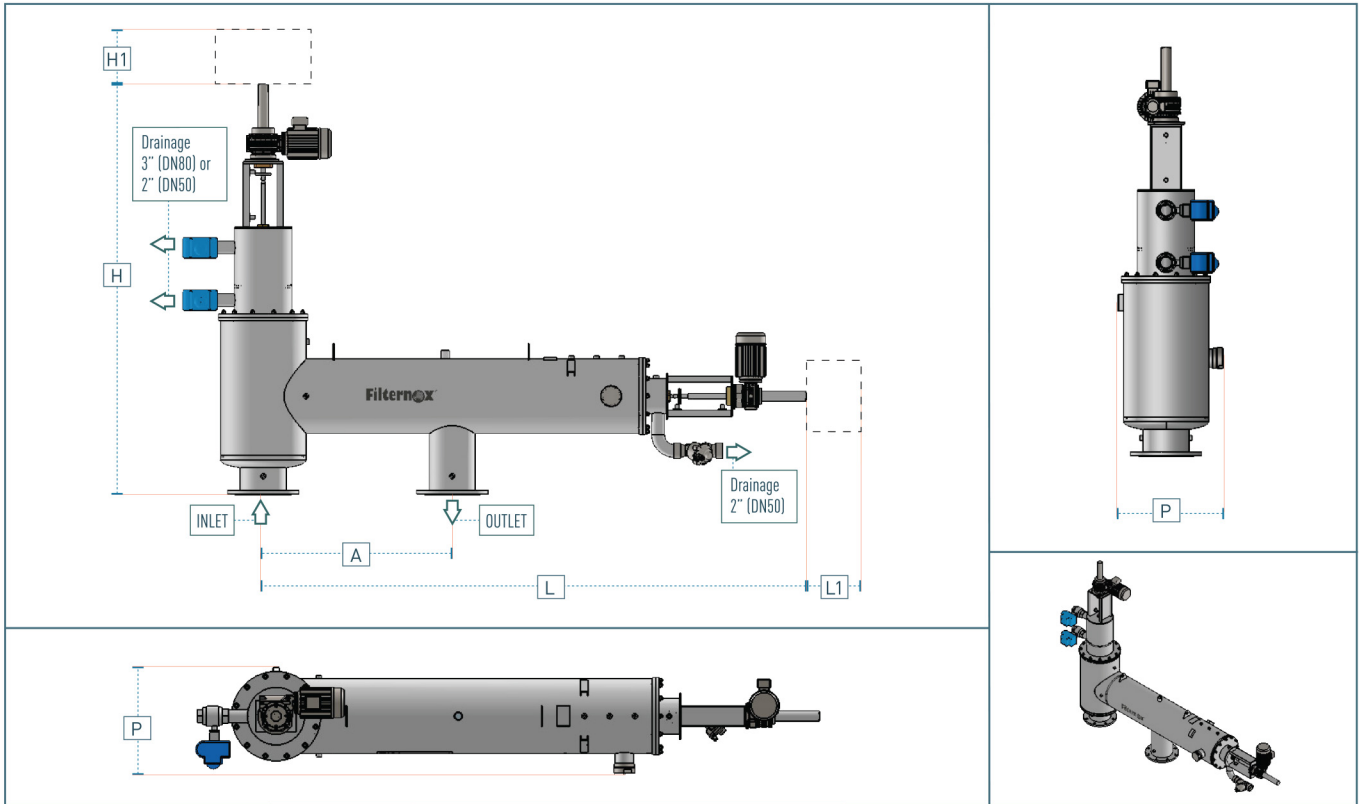
Optional Features

Alternative Energy Sources
Solar Energy

Remote Control and Monitoring
PLC, PC,
Mobile Devices,
Filternox Head Office



KFH-WBVV-MR Model Dimensions



Model	Inlet-Outlet Diameter		Dimensions						Weight		Flow Rate	Filtration Area	
			A	L	L1	H	H1	P	Empty	Full		Stage 1	Stage 2
	inch	mm	mm						kg		m ³ /h	cm ²	
KFH-WBVV 110203-MR	3	80	600	1975	200	1765	200	398	132	210	up to 60	2400	2400
KFH-WBVV 110304-MR	4	100	800	2175	400	1765	200	398	145	225	up to 100	2400	3600
KFH-WBVV 110404-MR	4	100	900	2415	600	1765	200	423	158	255	up to 120	3200	4800
KFH-WBVV 112408-MR	8	200	900	2415	600	1775	200	439	180	285	up to 180	3200	4800
KFH-WBVV 114306-MR	6	150	800	2215	400	1775	200	455	205	335	up to 160	3200	4800
KFH-WBVV 114406-MR	6	150	900	2415	600	1775	200	455	220	350	up to 200	3200	6400
KFH-WBVV 112608-MR	8	200	900	2815	1000	1975	200	439	210	335	up to 320	4800	7200
KFH-WBVV 114508-MR	8	200	900	2615	800	1975	200	455	255	400	up to 340	4800	8000
KFH-WBVV 114610-MR	10	250	1200	2865	1000	1990	200	480	295	460	up to 500	6000	9600
KFH-WBVV 116510-MR	10	250	1200	2665	800	1990	200	505	340	545	up to 500	6000	10000
KFH-WBVV 120512-MR	12	300	1200	2970	800	2030	200	607	435	705	up to 800	7500	13500
KFH-WBVV 120614-MR	14	350	1200	3170	1000	2230	200	607	480	790	up to 900	10000	16200



- Tolerance value for given data is according to DIN ISO 2768-1(v).
- For options with larger filtration area, please contact Antel-Filternox.

For more information about KFHV-WBVV-MR models, please visit our website.

