



SPT-MR

Universal High Capacity Filtration



SPT-MR, like all **Filternox**[®] Motor Reducer models, provides:

- + Minimum and adjustable water consumption during back-flush,
- + Adjustable RPM of cleaning mechanism,
- + The option of either one way or round trip cleaning sequences via control panel.

General Technical Specifications

Body Material AISI 304L, AISI 316L	Max. Operating Temperature 60°C / 90°C	Back-Flush Water Consumption 100-120 l / back-flush
Screen Material AISI 316L	Headloss at Max. Flow Rate 0.2 bar	Fine Screen Range 10-3000 micron
Max. Operating Pressure PN10 / PN16	Back-Flush Time 20-30 s	Control System Electric
Min. Inlet Pressure Required During Back-Flush 2 bar	rpm of Cleaning Mechanism Adjustable	

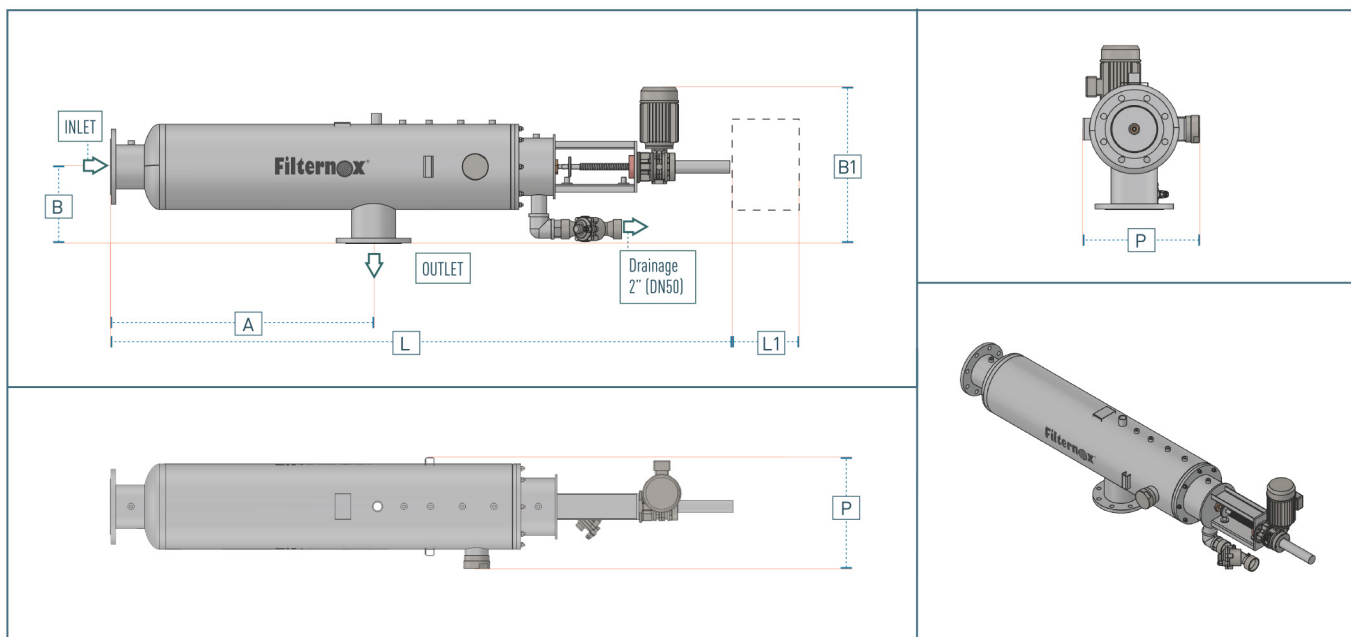
For different pressure and material requirements, please contact Antel-Filternox.

Optional Features

Alternative Energy Sources Solar Energy	Remote Control and Monitoring PLC, PC, Mobile Devices, Filternox Head Office
---	--



SPT-MR Model Dimensions



Model	Inlet-Outlet Diameter		Dimensions						Weight		Flow Rate	Filtration Area
			A	B	B1	L	L1	P	Empty	Full		
	inch	mm	mm						kg		m ³ /h	cm ²
SPT 110303-MR	3	80	600	257	557	1870	400	369	65	95	up to 60	3600
SPT 110304-MR	4	100	600	257	557	1870	400	369	70	115	up to 100	3600
SPT 110306-MR	6	150	600	267	567	1865	400	369	75	125	up to 140	3600
SPT 110404-MR	4	100	800	257	557	2080	600	369	80	110	up to 120	4800
SPT 110406-MR	6	150	800	267	567	2080	600	369	85	120	up to 160	4800
SPT 112408-MR	8	200	800	292	592	2110	600	419	120	190	up to 180	4800
SPT 114304-MR	4	100	600	298	598	1922	400	452	125	190	up to 120	4800
SPT 114406-MR	6	150	800	308	608	2120	600	452	145	240	up to 200	6400
SPT 114408-MR	8	200	800	308	608	2105	600	452	150	255	up to 240	6400
SPT 116410-MR	10	250	800	353	653	2130	600	505	185	310	up to 400	8000

■ Tolerance value for given data is according to DIN ISO 2768-1(v).

■ For options with larger filtration area, please contact Antel-Filternox.

